

规格承认书

Specification for approval

产品名称: **BFSL** 福特汽车专用窄脚插片汽车保险丝 **32V**

**Product Type: Narrow Foot Insert Insurance Ultra-small
Automotive Fuses 32V 10Amp For Ford Tap Adapter Mini
Blade Fuse Holder**

Ao littel Technology Co.Ltd.

Bld. 16,Yanhe East Road,Xiangdong Village, Dongguan 523833,
Guangdong,China

H.P.: 1371362419

Fax #:0769-89390418

QQ #: 3217998702

Email : eric.lye@aolittel.com

<http://www.passivemall.com/>

<http://www.aolittel.com/>

1. Scope

This state-of-the-art blade fuse was realized by reducing the width of the BFMN Blade Fuse to offer space reduction

2. General Specifications

Rated Voltage: DC32V and less

Breaking Capacity: 1000A

Operation Temperature: -40°C - 80°C

3. Time-Current Characteristics

% of Ampere Rating(A)	Operating Time	
	MIN	MAX
110%	100 hrs.	-
135%	0.75 sec.	120 sec.
160%	0.25 sec.	50 sec.
200%	0.15 sec.	5 sec.
350%	0.04 sec.	0.5 sec.
600%	0.02 sec.	0.1 sec.

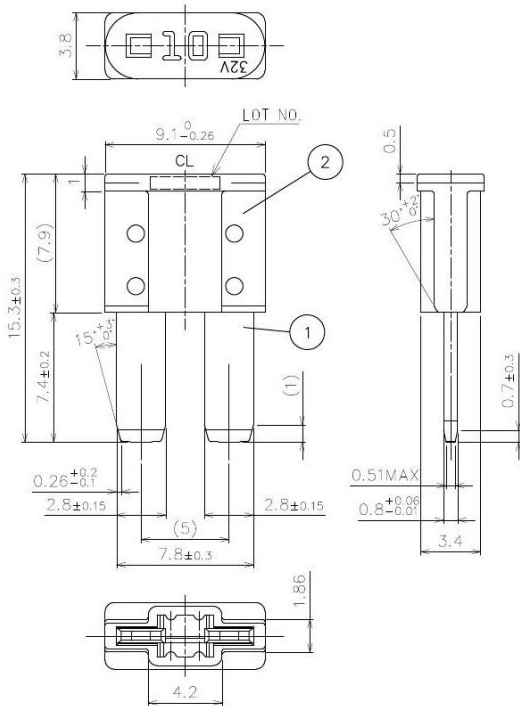
※The fuse characteristic may change depending on the conditions of use.

4. Electrical Performances

Ampere Rating(A)	Part Number	Housing Colors	Resistance Value	Voltage Drop
5A	1173	Tan	17.3 mΩ	117 mV
7.5A	1174	Brown	10.7 mΩ	109 mV
10A	1175	Red	7.85 mΩ	104 mV
15A	1176	Blue	5.05 mΩ	100 mV
20A	1177	Yellow	3.65 mΩ	95 mV
25A	1178	White(natural)	2.75 mΩ	88 mV
30A	1179	Green	2.18 mΩ	82 mV

※The fuse characteristic may change depending on the conditions of use.

5. Dimension (mm)



6. Time-Current Characteristics Chart

